



Jampel

Effective Date: 01/02/2016

Note:

1. All listed price in USD/pc, FOB Bologna

ATTENZIONE:

**I PREZZI ESPOSTI IN USD SI INTENDONO IVA ESCLUSA
E SONO RISERVATI AGLI UTILIZZATORI PROFESSIONALI
(INTEGRATORI & INSTALLATORI DI SISTEMI,
COSTRUTTORI DI APPARATI CHE UTILIZZANO IN SERIE
QUESTI DISPOSITIVI), GIA' REGISTRATI COME CLIENTI
E PER ACQUISTI SOPRA I 500 EURO
NON SONO VALIDI PER I PRIVATI
E GLI UTENTI FINALI**

WARNING:

**THE ATTACHED USD PRICES ARE VAT EXCLUDED END THEY ARE
GRANTED TO PROFESSIONAL USERS (SYSTEM INTEGRATORS
& SYSTEM FITTERS; MANUFACTURING COMPANIES
WICH ARE STRONG USERS OF THESE DEVICES),
RECORDED AS JAMPEL RUNNING CUSTOMERS END FOR
PURCHASES MORE THAN EURO 500
SAME PRICES ARE NOT APPLICABLE TO
PRIVATE PEOPLE AND FINAL USERS**

Vortex86DX SOM304 pin CPU Module (mating connector PH2*38(1.27)-5.3MM)

	P/N	Description	(price: USD)
	SOM304RD52VINE1	Vortex86DX SOM 304pin CPU Module 256MB/5S/4USB/VGA/LCD/LAN/2GPIO	206
(BTO)	SOM304RD52VIBE1	Vortex86DX SOM 304pin CPU Module 256MB/5S/4USB/VGA/LCD/LAN/2GPIO/ /SST-512MB NAND Flash	234
(BTO)	SOM304RD52VICE1	Vortex86DX SOM 304pin CPU Module 256MB/5S/4USB/VGA/LCD/LAN/2GPIO/ /SST-1GB NAND Flash	253
	SOM304RD53VINE1	Vortex86DX SOM 304pin CPU Module 512MB/5S/4USB/VGA/LCD/LAN/2GPIO/	232
(BTO)	SOM304RD53VIBE1	Vortex86DX SOM 304pin CPU Module 512MB/5S/4USB/VGA/LCD/LAN/2GPIO//SST-512MB NAND Flash	260
(BTO)	SOM304RD53VICE1	Vortex86DX SOM 304pin CPU Module 512MB/5S/4USB/VGA/LCD/LAN/2GPIO//SST-1GB NAND Flash	279
(BTO)	SOM304RD53VIDE1	Vortex86DX SOM 304pin CPU Module 512MB/5S/4USB/VGA/LCD/LAN/2GPIO//SST-2GB NAND Flash	306
	SOM304RD52PINE1	Vortex86DX SOM 304pin CPU Module 256MB/4S/4USB/LAN/2GPIO/	185
(BTO)	SOM304RD52PIBE1	Vortex86DX SOM 304pin CPU Module 256MB/4S/4USB/LAN/2GPIO//SST-512MB NAND Flash	213
(BTO)	SOM304RD52PICE1	Vortex86DX SOM 304pin CPU Module 256MB/4S/4USB/LAN/2GPIO//SST-1GB NAND Flash	232

Vortex86SX SOM304 pin CPU Module (mating connector PH2*38(1.27)-5.3MM)

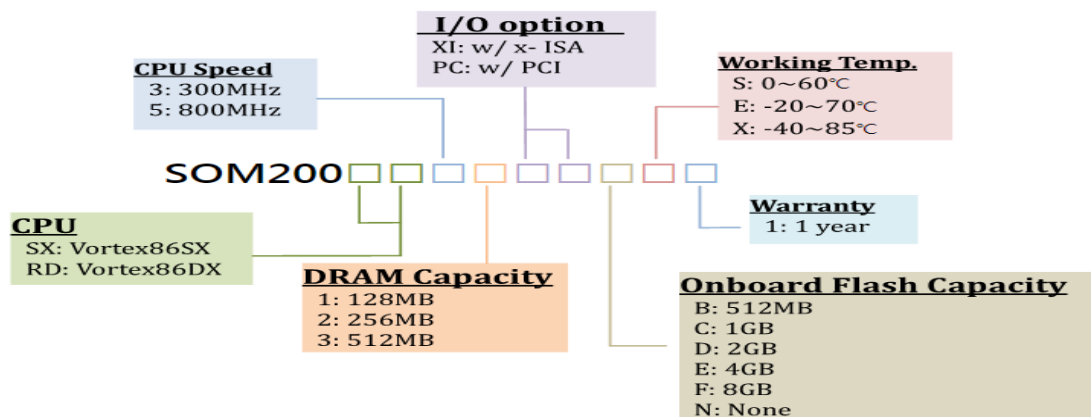
	P/N	Description	(price: USD)
	SOM304SX31VINE1	Vortex86SX SOM 304pin CPU Module 128MB/5S/4USB/VGA/LCD/LAN/2GPIO	185
(BTO)	SOM304SX31VIBE1	Vortex86SX SOM 304pin CPU Module 128MB/5S/4USB/VGA/LCD/LAN/2GPIO/SST-512MB NAND Flash	213
	SOM304SX31PINE1	Vortex86SX SOM 304pin CPU Module 128MB/4S/4USB/LAN/2GPIO	164
(BTO)	SOM304SX31PIBE1	Vortex86SX SOM 304pin CPU Module 128MB/4S/4USB/LAN/2GPIO/SST-512MB NAND Flash	191

SOM304 SXX Development Board

	P/N	Description	(price: USD)
	SOM304DX-DEV-VI	SOM304DX-VI Development Board	213
	SOM304SX-DEV-VI	SOM304SX-VI Development Board	213
	SOM304DX-DEV-PI	SOM304DX-PI Development Board	213
	SOM304SX-DEV-PI	SOM304SX-PI Development Board	213

Vortex86DX SOM200pin CPU Module (mating connector PH2*25(1.27)-5.3MM)

	P/N	Description	(price: USD)
	SOM200RD52XINE1	Vortex86DX SOM 200pin CPU Module 256MB/5S/4USB/LAN/2GPIO/	185
(BTO)	SOM200RD52XIBE1	Vortex86DX SOM 200pin CPU Module 256MB/5S/4USB/LAN/2GPIO/ /SST-512MB NAND Flash	213
(BTO)	SOM200RD52XICE1	Vortex86DX SOM 200pin CPU Module 256MB/5S/4USB/LAN/2GPIO/ /SST-1GB NAND Flash	232
(BTO)	SOM200RD53XINE1	Vortex86DX SOM 200pin CPU Module 512MB/5S/4USB/LAN/2GPIO/	211
(BTO)	SOM200RD53XIBE1	Vortex86DX SOM 200pin CPU Module 512MB/5S/4USB/LAN/2GPIO//SST-512MB NAND Flash	238
(BTO)	SOM200RD53XICE1	Vortex86DX SOM 200pin CPU Module 512MB/5S/4USB/LAN/2GPIO//SST-1GB NAND Flash	257
(BTO)	SOM200RD53XIDE1	Vortex86DX SOM 200pin CPU Module 512MB/5S/4USB/LAN/2GPIO//SST-2GB NAND Flash	285
	SOM200RD52PCNE1	Vortex86DX SOM 200pin CPU Module 256MB/4S/5USB/LAN/2GPIO/	185
(BTO)	SOM200RD52PCBE1	Vortex86DX SOM 200pin CPU Module 256MB/4S/5USB/LAN/2GPIO//SST-512MB NAND Flash	213
(BTO)	SOM200RD52PCCE1	Vortex86DX SOM 200pin CPU Module 256MB/4S/5USB/LAN/2GPIO//SST-1GB NAND Flash	232



Vortex86SX SOM200pin CPU Module (mating connector PH2*25(1.27)-5.3MM)

	P/N	Description	(price: USD)
	SOM200SX31XINE1	Vortex86SX SOM 200pin CPU Module 128MB/5S/4USB/LAN/2GPIO	164
(BTO)	SOM200SX31XIBE1	Vortex86SX SOM 200pin CPU Module 128MB/5S/4USB/LAN/2GPIO/SST-512MB NAND Flash	191
	SOM200SX31PCNE1	Vortex86SX SOM 200pin CPU Module 128MB/5S/4USB/LAN/2GPIO	164
(BTO)	SOM200SX31PCBE1	Vortex86SX SOM 200pin CPU Module 128MB/5S/4USB/LAN/2GPIO/SST-512MB NAND Flash	191

SOM200 SXX Development Board

	P/N	Description	(price: USD)
	SOM200DX-DEV-XI	SOM200DX-XI Development Board	213
	SOM200SX-DEV-XI	SOM200SX-XI Development Board	213
	SOM200DX-DEV-PC	SOM200DX-PC Development Board	213
	SOM200SX-DEV-PC	SOM200SX-PC Development Board	213

SOM-Accessories

	PH2*38(1.27)-5.3MM	Male connector of SOM304 SX/RD/MX+/DX2/DX3 development board (need 4 pcs for each SOM304)	3
	PH2*25(1.27)-5.3MM	Male connector of SOM200 SX/RD/EX development board (need 4 pcs for each SOM200)	3
	SPACER-SOM-H5	SMT fastener of SOM200/304 carrier board	0,50
	PH2*32(1.27)-5.3MM	Male connector of VEX-SOM carrier board (need 2 pcs for each SOM128)	3



ICOP
intelligent control on processor



JAMPEL SRL - VIA DEGLI STRADELLI GUELFI 86
40138 BOLOGNA - TEL. 051 452042 FAX 051 455046
C.F. e PARTITA I.V.A. 03145900378
E-MAIL : info@jampel.it www.jampel.it

No.15, Wugong 5th Rd. Xinzhuang Dist., New Taipei City, #24890, Taiwan,

µProcessor Module

Ordering Type No.	SST-512MB	SPI-4MB	TTL	RS-232
VDX-6319RD-FB-A	V		V	
VDX-6319RD-FB-B	V			V
VDX-6319RD-FB-C	V	V	V	
VDX-6319RD-FB-D	V	V		V

Vortex86DX series

P/N	Description	(price: USD)
VDX-6300RD	Vortex86DX DIP 68pin CPU Module 256MB /4S/3USB/LAN/2GPIO/CF/PWMx24	202
VDX-6300RD-512	Vortex86DX DIP 68pin CPU Module 512MB /4S/3USB/LAN/2GPIO/CF/PWMx24	279
VDX-6317RD-X	Vortex86DX Mity-Mite CPU Module 256MB/1S/LAN/GPIO/PWMx16	196
ICOP-2820	Mity-Mite VGA/LCD Development Kit	85
VDX-6319RD-FB-A	Vortex86DX Mity-SoC CPU module 256MB/2S/USB/GPIO/SST-512MB	211
VDX-6319RD-FB-B	Vortex86DX Mity-SoC CPU module 256MB/2S/USB/GPIO/SST-512MB	215
VDX-6319RD-FB-C	Vortex86DX Mity-SoC CPU module 256MB/2S/USB/GPIO/SST-512MB	213
VDX-6319RD-FB-D	Vortex86DX Mity-SoC CPU module 256MB/2S/USB/GPIO/SST-512MB	219
VDX-DIP-ISARD	Vortex86DX DIP-204pin-ISA CPU module 256MB /5S/4USB/LAN/2GPIO	187
VDX-DIP-ISARD-512	Vortex86DX DIP-204pin-PCI CPU module 512MB /5S/4USB/LAN/3GPIO	270
VDX-DIP-PCIRD	Vortex86DX DIP-204pin-PCI CPU module 256MB /5S/4USB/LAN/2GPIO	187
VDX-DIP-PCIRD-512	Vortex86DX DIP-204pin-PCI CPU module 512MB /5S/4USB/LAN/4GPIO	270

Vortex86SX series

P/N	Description	(price: USD)
VSX-6100-V2	Vortex86SX DIP 68pin CPU Module 128MB/3S/2USB/LAN/GPIO/CF	157
VSX-6101-V2	Vortex86SX DIP 48pin CPU Module 128MB/4S/3USB/LAN/GPIO/CF	140
VSX-6100-EVB	Vortex86SX/DX DIP 48/68pin CPU Module Development Board	96
VSX-6117-X-V2	Vortex86SX Mity-Mite CPU Module 128MB/1S/LAN/GPIO	151
ICOP-2820	Mity-Mite VGA/LCD Development Kit	85
VSX-6119-A-V2	VSX-6119-C-V2 without 2MB SPI flash disk	109
VSX-6119-B-V2	VSX-6119-D-V2 without 2MB SPI flash disk	121
VSX-6119-C-V2	Vortex86SX Mity-SoC CPU module 128MB/2S(TTL)/USB/GPIO	116
VSX-6119-D-V2	Vortex86SX Mity-SoC CPU module 128MB/2S/USB/GPIO	125
VSX-6119-FB-C-V2	Vortex86SX Mity-SoC CPU module 128MB/2S(TTL)/USB/GPIO/SST-512MB	161
VSX-6119-FB-D-V2	Vortex86SX Mity-SoC CPU module 128MB/2S/USB/GPIO/SST-512MB	170
VSX-6119-1	Mity-SoC Development I/O Board	123
ICOP-6019-VGA	Mity-SoC Development VGA Board	89
VSX-DIP-ISA-V2	Vortex86SX/DX DIP-204pin-ISA CPU module 128MB/5S/4USB/LAN/2GPIO	138
VSX-DEV-204-ISA	VSX/DX-DIP-ISA Development Board	191
ICOP-0091	PC/104 to ISA adapter	23
ICOP-2811	PC/104 VGA/ LCD card	128
VSX-DIP-PCI-V2	Vortex86SX/DX DIP-204pin-PCI CPU module 128MB/5S/4USB/LAN/2GPIO	138
VSX-DEV-204-PCI	VSX/DX-DIP-PCI Development Board	191
MiniPCI-VGA-Z9s	MiniPCI VGA / LVDS Module	98
PCI-MiniPCI	Mini PCI to PCI Converter	15



ICOP
intelligent control on processor



JAMPEL SRL - VIA DEGLI STRADELLI GUELFII 86
40138 BOLOGNA - TEL. 051 452042 FAX 051 455046
C.F. e PARTITA I.V.A. 03116900378
E.MAIL : info@jampel.it www.jampel.it

No.15, Wugong 5th Rd. Xinzhuang Dist., New Taipei City, #24890, Taiwan.

2.5" Tiny Module

Vortex86DX2 Tiny CPU Module

P/N	Description	(price: USD)
VDX2-6518-1G-E	Vortex86DX2 Tiny CPU Module 1G/4S/2USB/VGA/LCD/LVDS/LAN/4GB eMMC/PWM	345
VDX2-6518-1G-S	Vortex86DX2 Tiny CPU Module 1G/4S/2USB/VGA/LCD/LVDS/LAN/SD card slot/PWM	281

Vortex86DX Tiny CPU Module

P/N	Description	(price: USD)
VDX-6314RD	Vortex86DX Tiny CPU Module 256MB/4S/2USB/VGA/LVDS/LAN/GPIO	311
VDX-6314RD-AU	Vortex86DX Tiny CPU Module 256MB/4S/2USB/VGA/LVDS/AUDIO/LAN/GPIO/Audio	322
VDX-6314RD-512	Vortex86DX Tiny CPU Module 512MB/4S/2USB/VGA/LVDS/AUDIO/LAN/GPIO	394
VDX-6315RD	Vortex86DX Tiny CPU Module 256MB/4S/2USB/LAN/2GPIO/	255
VDX-6315RD-512	Vortex86DX Tiny CPU Module 512MB/4S/2USB/LAN/2GPIO/	347
(BTO) VDX-6316RD	Vortex86DX Tiny CPU Module 256MB/2S/2USB/2GPIO/	219
(BTO) VDX-6316RD-512	Vortex86DX Tiny CPU Module 512MB/2S/2USB/2GPIO/	302
VDX-6318RD	Vortex86DX Tiny CPU Module 256MB/4S/4USB/VGA/LCD/AUDIO/LAN/2GPIO/	308
VDX-6318RD-512	Vortex86DX Tiny CPU Module 512MB/4S/4USB/VGA/LCD/AUDIO/LAN/2GPIO/	391
ICOP-2720	Tiny VGA/LCD Development Kit	85

Vortex86SX Tiny CPU Module

P/N	Description	(price: USD)
VSX-6114-V2	Vortex86SX Tiny CPU Module 128MB/4S/2USB/VGA/LVDS/LAN/GPIO	259
VSX-6115-V2	Vortex86SX Tiny CPU Module 128MB/4S/2USB/LAN/2GPIO	219
VSX-6116-V2	Vortex86SX Tiny CPU Module 128MB/2S/2USB/2GPIO	170
VSX-6118-V2	Vortex86SX Tiny CPU Module 128MB/4S/4USB/VGA/LCD/LAN/2GPIO	257
ICOP-2720	Tiny VGA/LCD Development Kit	85



ICOP
intelligent control on processor

No. 15, Wugong 5th Rd. Xinzhuang Dist., New Taipei City, #24890, Taiwan



JAMPEL SRL - VIA DEGLI STRADELLI GUELFI 86
40138 BOLOGNA - TEL. 051 452042 FAX 051 455046
C.F. e PARTITA I.V.A. 03116900378
E-MAIL : info@jampel.it www.jampel.it

PC/104 SBC

Vortex86DX3 PC/104 CPU Module

P/N	Description	(price: USD)
VDX3-6754-1G	Vortex86DX3 PC/104 CPU Module (standard package without cables) 1GB/4S/2USB/VGA/LCD/LVDS/AUDIO/LAN/GPIO/	319
VDX3-6754-2G	Vortex86DX3 PC/104 CPU Module (standard package without cables) 2GB/4S/2USB/VGA/LCD/LVDS/AUDIO/LAN/GPIO/	340
Cable-Set		
Cable-set-6754	NET4X2(2.0)x,RS232(2.0)x4,USB(2.0)x1,PRINT(2.0)x1,VGA(2.0)x1, GPIO(2.0)x1,PS2KB(TEST)x2,CABLE-AUDIO-4P(1.25)x2	26

Vortex86DX2 PC/104 CPU Module

P/N	Description	(price: USD)
VDX2-6554-512	Vortex86DX2 PC/104 CPU Module 512MB/4S/2USB/VGA/LCD/LVDS/AUDIO/LAN/GPIO/	298
VDX2-6554-1G	Vortex86DX2 PC/104 CPU Module 1GB/4S/2USB/VGA/LCD/LVDS/AUDIO/LAN/GPIO/	309
VDX2-6554-512-T	Vortex86DX2 PC/104 CPU Module 512MB/4S/2USB/VGA/LCD/LVDS/AUDIO/LAN/GPIO//TS	302
VDX2-6554-1G-T	Vortex86DX2 PC/104 CPU Module 1GB/4S/2USB/VGA/LCD/LVDS/AUDIO/LAN/GPIO//TS	313
NAD11-103-SD	Vortex86DX2 (500MHz) PC/104 CPU Module 256MB/4S/4USB/PC/VGA/LCD/LVDS/LAN/SD	268

Vortex86EX CPU Module

P/N	Description	(price: USD)
VEX-6252-S	Vortex86EX with 8S/2USB/LAN/AD/SD card slot	160
VEX-6252-E	Vortex86EX with 8S/2USB/LAN/AD/512MB eMMC	181
VEX-6253	Vortex86EX with 1S/2USB/LAN/SATA/x-ISA	160
VEX-6253-5S-S	Vortex86EX with 5S/2USB/LAN/SATA/x-ISA/SD card slot	160
VEX-6253-3GE	Vortex86EX with 1S/2USB/LAN/SATA/x-ISA/512MB eMMC/Mini PCI-E 3G module support	181
VEX-6254-S	Vortex86EX with 4S/2USB/LAN/GPIO/1 ² C/CAN BUS/ AUDIO/AD/SD card slot	160
VEX-6254-E	Vortex86EX with 4S/2USB/LAN/GPIO/12C/CAN BUS/ AUDIO/AD/512MB eMMC	181
MINIPCIE-8111F	Mini PCI-E Giga LAN card	68
MINIPCIE-9160	Mini PCI-E VGA card (For VEX module only)	89

Vortex86DX PC/104 CPU Module

P/N	Description	(price: USD)
VDX-6350RDE	Vortex86DX PC/104 CPU Module 256MB/4S/2USB/LAN/GPIO/	261
VDX-6350RDE-512	Vortex86DX PC/104 CPU Module 512MB/4S/2USB/LAN/GPIO/	351
VDX-6353RD	Vortex86DX PC/104 CPU Module 256MB/4S/2USB/VGA/LCD/LVDS/LAN/GPIO/CF/	326
VDX-6353RD-512	Vortex86DX PC/104 CPU Module 512MB/4S/2USB/VGA/LCD/LVDS/LAN/GPIO/CF/	404
VDX-6354RD	Vortex86DX PC/104 CPU Module 256MB/4S/2USB/VGA/LCD/AUDIO/LAN/GPIO/	326
VDX-6354RD-512	Vortex86DX PC/104 CPU Module 2MB/4S/2USB/VGA/LCD/AUDIO/LAN/GPIO/	404
VDX-6354RD-PLUS	Vortex86DX PC/104+ (plus PCI) CPU Module 256MB/4S/2USB/VGA/LCD/AUDIO/LAN/GPIO	345
VDX-6356RD	Vortex86DX PC/104 CPU Module 256MB/4S/2USB/3LAN/GPIO/	299
VDX-6356RD-512	Vortex86DX PC/104 CPU Module 512MB/4S/2USB/3LAN/GPIO/	374
VDX-6357RD	Vortex86DX PC/104 CPU Module 256MB/4S/2USB/VGA/LCD/3LAN/GPIO/	349
VDX-6357RD-512	Vortex86DX PC/104 CPU Module 512MB/4S/2USB/VGA/LCD/3LAN/GPIO/	432
VDX-6358RD	Vortex86DX PC/104 CPU Module 256MB/4S/2USB/VGA/LCD/2LAN/GPIO/	337
VDX-6358RD-512	Vortex86DX PC/104 CPU Module 512MB/4S/2USB/VGA/LCD/2LAN/GPIO/	413
VDX-6372RD	Vortex86DX PC/104 CPU Module 600MHz 128MB/2S/2USB/VGA/LCD/GPIO/	281
VDX-6372RD-800	Vortex86DX PC/104 CPU Module 800MHz 128MB/2S/2USB/VGA/LCD/GPIO/	294

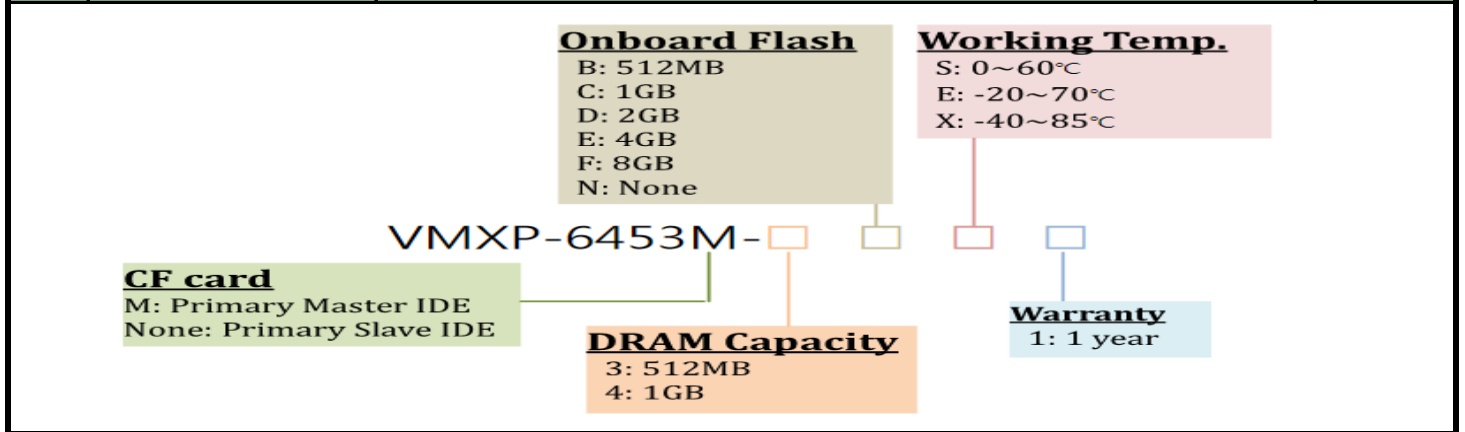
Vortex86SX PC/104 CPU Module

P/N	Description	(price: USD)
VSX-6150-V2	Vortex86SX PC/104 CPU Module 128MB/2S/2USB/GPIO	174
VSX-6150E-V2	Vortex86SX PC/104 CPU Module 128MB/4S/2USB/LAN/GPIO	208

	VSX-6153-V2	Vortex86SX PC/104 CPU Module 128MB/4S/2USB/VGA/LCD/LVDS/LAN/GPIO	237
	VSX-6154-V2	Vortex86SX PC/104 CPU Module 128MB/4S/2USB/VGA/LCD/LAN/GPIO	237
(BTO)	VSX-6155-V2	Vortex86SX PC/104 CPU Module 128MB/4S/2USB/VGA/LCD/AUDIO/LAN/GPIO	248
	VSX-6156-V2	Vortex86SX PC/104 CPU Module 128MB/4S/2USB/3LAN/GPIO	266
(BTO)	VSX-6157-V2	Vortex86SX PC/104 CPU Module 128MB/4S/2USB/VGA/LCD/3LAN/GPIO	315
	VSX-6158-V2	Vortex86SX PC/104 CPU Module 128MB/4S/2USB/VGA/LCD/2LAN/GPIO	304

Vortex86MX+ PC/104-size CPU Module

	P/N	Description	(price: USD)
	VMXP-6453M-3NS1	Vortex86MX+ CPU Module 512MB/3S/4USB/VGA/LCD/LVDS/AUDIO/LAN/GPIO/CF/	328
	VMXP-6453M-3NE1	Vortex86MX+ CPU Module 512MB/3S/4USB/VGA/LCD/LVDS/AUDIO/LAN/GPIO/CF/ (-20 ~+70 working Temp)	394
(BTO)	VMXP-6453-3BS1	Vortex86MX+ CPU Module 512MB/3S/4USB/VGA/LCD/LVDS/AUDIO/LAN/GPIO/CF//SST-512MB NAND Flash	355
	VMXP-6453M-4NS1	Vortex86MX+ CPU Module 1GB/3S/4USB/VGA/LCD/LVDS/AUDIO/LAN/GPIO/CF/	355
(BTO)	VMXP-6453-4DS1	Vortex86MX+ CPU Module 1GB/3S/4USB/VGA/LCD/LVDS/AUDIO/LAN/GPIO/CF//SST-2GB NAND Flash	430
(BTO)	VMXP-6453-4ES1	Vortex86MX+ CPU Module 1GB/3S/4USB/VGA/LCD/LVDS/AUDIO/LAN/GPIO/CF//SST-4GB NAND Flash	472





ICOP
intelligent control on processor

No.15, Wugong 5th Rd. Xinzhuang Dist., New Taipei City, #24890, Taiwan



JAMPEL SRL - VIA DEGLI STRADELLI GUELFY 86
40138 BOLOGNA - TEL. 051 452042 FAX 051 455046
C.F. e PARTITA I.V.A. 03116900378
E.MAIL : Info@jampel.it www.jampel.it

3.5" Embedded SBC

Vortex86DX2 3.5" CPU Module

P/N	Description	(price: USD)
VDX2-6526-512	Vortex86DX2 3.5" CPU Module 512M/4S/5USB/VGA/LCD/LVDS/3LAN/AUDIO/GPIO/PWMx16	332
VDX2-6526-1G	Vortex86DX2 3.5" CPU Module 1G/4S/5USB/VGA/LCD/LVDS/3LAN/AUDIO/GPIO/PWMx16	343
VDX2-6526-512-T	Vortex86DX2 3.5" CPU Module 512M/4S/5USB/VGA/LCD/LVDS/3LAN/AUDIO/GPIO/PS2 Touch Screen	336
VDX2-6526-1G-T	Vortex86DX2 3.5" CPU Module 1G/4S/5USB/VGA/LCD/LVDS/3LAN/AUDIO/GPIO/PS2 Touch Screen	347

Vortex86DX 3.5" CPU Module

P/N	Description	(price: USD)
VDX-6326RD	Vortex86DX 3.5" CPU Module 56MB/4S/3USB/VGA/LCD/LVDS/AUDIO/3LAN/GPIO/CF/FDDPWMx16	360
VDX-6326RD-512	Vortex86DX 3.5" CPU Module 12MB/4S/3USB/VGA/LCD/LVDS/AUDIO/3LAN/GPIO/CF/FDDPWMx16	436
VDX-6327RD	Vortex86DX 3.5" CPU Module 256MB/8S/3USB/VGA/LCD/LVDS/LAN/GPIO/CF/FDD/PWMx16	364
VDX-6327RD-512	Vortex86DX 3.5" CPU Module 512MB/8S/3USB/VGA/LCD/LVDS/LAN/GPIO/CF/FDD/PWMx16	443
VDX-6328RD	Vortex86DX 3.5" CPU Module 256MB/6S/3USB/VGA/LCD/LVDS/LAN/GPIO/CF/FDD/PWMx16	351
VDX-6328RD-512	Vortex86DX 3.5" CPU Module 512MB/6S/3USB/VGA/LCD/LVDS/LAN/GPIO/CF/FDD/PWMx16	430

Vortex86SX 3.5" CPU Module

P/N	Description	(price: USD)
VSX-6127-V2	Vortex86SX 3.5" CPU Module 128MB/8S/3USB/VGA/LCD/LVDS/LAN/GPIO/CF/FDD	311

Vortex86MX+ 3.5" CPU Module

P/N	Description	(price: USD)
VMXP-6426-3NS1	Vortex86MX+ 3.5" CPU Module 512MB/3S/4USB/VGA/LCD/LVDS/AUDIO/3LAN/GPIO/CF/PWMx16	360
(BTO) VMXP-6426-3BS1	Vortex86MX+ 3.5" CPU Module 512MB/3S/4USB/VGA/LCD/LVDS/AUDIO/3LAN/GPIO/CF/SST-512MB NAND Flash	387
VMXP-6426-4NS1	Vortex86MX+ 3.5" CPU Module 1GB/3S/4USB/VGA/LCD/LVDS/AUDIO/3LAN/GPIO/CF/PWMx16	387
(BTO) VMXP-6426-4DS1	Vortex86MX+ 3.5" CPU Module 1GB/3S/4USB/VGA/LCD/LVDS/AUDIO/3LAN/GPIO/CF/SST-2GB NAND Flash	462
(BTO) VMXP-6426-4ES1	Vortex86MX+ 3.5" CPU Module 1GB/3S/4USB/VGA/LCD/LVDS/AUDIO/3LAN/GPIO/CF/SST-4GB NAND Flash	504
VMXP-6427-3NS1	Vortex86MX+ 3.5" CPU Module 512MB/7S/4USB/VGA/LCD/LVDS/AUDIO/LAN/GPIO/CF/PWMx16	364
(BTO) VMXP-6427-3BS1	Vortex86MX+ 3.5" CPU Module 512MB/7S/4USB/VGA/LCD/LVDS/AUDIO/LAN/GPIO/CF/SST-512MB NAND Flash	391
VMXP-6427-4NS1	Vortex86MX+ 3.5" CPU Module 1GB/7S/4USB/VGA/LCD/LVDS/AUDIO/LAN/GPIO/CF/PWMx16	391
(BTO) VMXP-6427-4DS1	Vortex86MX+ 3.5" CPU Module 1GB/7S/4USB/VGA/LCD/LVDS/AUDIO/LAN/GPIO/CF/SST-2GB NAND Flash	466
(BTO) VMXP-6427-4ES1	Vortex86MX+ 3.5" CPU Module 1GB/7S/4USB/VGA/LCD/LVDS/AUDIO/LAN/GPIO/CF/SST-4GB NAND Flash	509

Onboard Flash

B: 512MB
C: 1GB
D: 2GB
E: 4GB
F: 8GB
N: None

Working Temp.

S: 0~60°C
E: -20~70°C
X: -40~85°C

VMXP-642 -

Feature

6: LAN x 3, COM x 3
7: LAN x 1, COM x 7

DRAM Capacity

3: 512MB
4: 1GB

Warranty

1: 1 year



ICOP
intelligent control on processor

No.15, Wugong 5th Rd. Xinzhuang Dist., New Taipei City, #24890, Taiwan



JAMPEL SRL - VIA DEGLI STRADELLI GUELFI 86
40138 BOLOGNA - TEL. 051 452042 FAX 051 455046
C.F. e PARTITA I.V.A. 03116900378
E.MAIL : info@jampel.it www.jampel.it

Half-Size Embedded CPU Cards

Vortex86DX2 Half-Size CPU Module

P/N	Description	(price: USD)
VDX2-6524-512	Vortex86DX2 Half-Size CPU Module 512MB/4S/4USB/VGA/LCD/LVDS/2LAN/AUDIO/GPIO/	264
VDX2-6524-1G	Vortex86DX2 Half-Size CPU Module 1GB/4S/4USB/VGA/LCD/LVDS/2LAN/AUDIO/GPIO/	274
VDX2-6524-CF-512	Vortex86DX2 Half-Size CPU Module 512MB/4S/4USB/VGA/LCD/LVDS/2LAN/AUDIO//Compact Flash	270
VDX2-6524-CF-1G	Vortex86DX2 Half-Size CPU Module 1GB/4S/4USB/VGA/LCD/LVDS/2LAN/AUDIO/WMx16/Compact Flash	281
VDX2-6524-512-T	Vortex86DX2 Half-Size CPU Module 512MB/4S/4USB/VGA/LCD/LVDS/2LAN/AUDIO/GPIO/PS2 Touch Screen	268
VDX2-6524-1G-T	Vortex86DX2 Half-Size CPU Module 1GB/4S/4USB/VGA/LCD/LVDS/2LAN/AUDIO/GPIO/PS2 Touch Screen	279

Vortex86DX Half-Size CPU Module

P/N	Description	(price : USD)
VDX-6324RD	Vortex86DX Half-Size CPU Module 256MB/4S/4USB/VGA/LCD/LAN/GPIO/CF	290
VDX-6324RD-512	Vortex86DX Half-Size CPU Module 512MB/4S/4USB/VGA/LCD/LAN/GPIO/CF	381
VDX-6324RD-AU	Vortex86DX ISA CPU Module 256MB w/4S/4USB/VGA/LCD/AUDIO/LAN/GPIO/CF	313
VDX-6324RD-FD	Vortex86DX Half-Size CPU Module 256MB/4S/4USB/VGA/LCD/LAN/GPIO/CF/Floppy	302
VDX-6324RD-FDA	Vortex86DX Half-Size CPU Module 256MB/4S/4USB/VGA/LCD/AUDIO/LAN/GPIO/CF/Floppy	313
VDX-6324RD-FD-512	Vortex86DX Half-Size CPU Module 512MB/4S/4USB/VGA/LCD/LAN/GPIO/CF/Floppy	391

Vortex86SX Half-Size CPU Module

P/N	Description	(price: USD)
VSX-6121-V2	Vortex86SX Half-Size CPU Module 128MB/2S/4USB/GPIO	179
VSX-6121-FD-V2	Vortex86SX Half-Size CPU Module 128MB/2S/4USB/GPIO/Floppy	192
VSX-6124-V2	Vortex86SX Half-Size CPU Module 128MB/4S/4USB/VGA/LCD/LAN/GPIO	244
VSX-6124-FD-V2	Vortex86SX Half-Size CPU Module 128MB/4S/4USB/VGA/LCD/LAN/GPIO/Floppy	257
VSX-6124-FDC-V2	Vortex86SX Half-Size CPU Module 128MB/4S/4USB/VGA/LCD/LAN/GPIO/Floppy /Compact Flash	268



ICOP
intelligent control on processor



JAMPEL SRL - VIA DEGLI STRADELLI GUELFI 86
40138 BOLOGNA - TEL. 051 452042 FAX 051 455046
C.F. e PARTITA I.V.A. 03116900378
E.MAIL : info@jampel.it www.jampel.it

No.15, Wugong 5th Rd. Xinzhuang Dist., New Taipei City, #24890, Taiwan, R.O.C

Flash Storage

Storage FLASH

SATA DOM 0°C~70°C series

P/N	Description	(price: USD)
SDM-SST-2G-H-M	2G MLC type , Industrial, Standard Grade, 0°C~70°C	30
SDM-SST-4G-H-M	4G MLC type , Industrial, Standard Grade, 0°C~70°C	36
ISATA-8G-H-M	8G MLC type , Industrial, Standard Grade, 0°C~70°C	38
ISATA-16G-H-M	16G MLC type , Industrial, Standard Grade, 0°C~70°C	51
ISATA-32G-H-M	32G MLC type , Industrial, Standard Grade, 0°C~70°C	79

SATA DOM -40°C~+85°C series

P/N	Description	(price: USD)
ISATA-4G-H-M-X	4G MLC-X type , Industrial, Standard Grade, -40°C~+85°C	38
ISATA-8G-H-M-X	8G MLC-X type , Industrial, Standard Grade, -40°C~+85°C	45
ISATA-16G-H-M-X	16G MLC-X type , Industrial, Standard Grade, -40°C~+85°C	62
ISATA-32G-H-M-X	32G MLC-X type , Industrial, Standard Grade, -40°C~+85°C	91

SATA DOM 0°C~70°C series

P/N	Description	(price: USD)
ISATA-1G-H-S	1G SLC type , Industrial, Standard Grade, 0°C~+70°C	38
ISATA-2G-H-S	2G SLC type , Industrial, Standard Grade, 0°C~+70°C	49
ISATA-4G-H-S	4G SLC type , Industrial, Standard Grade, 0°C~+70°C	72
ISATA-8G-H-S	8G SLC type , Industrial, Standard Grade, 0°C~+70°C	134
ISATA-16G-H-S	16G SLC type , Industrial, Standard Grade, 0°C~+70°C	245

SATA DOM -40°C~+85°C series

P/N	Description	(price: USD)
SDM-SST-2G-H-S-X	2G SLC-X type , Industrial, Standard Grade, -40°C~+85°C	64
SDM-SST-4G-H-S-X	4G SLC-X type , Industrial, Standard Grade, -40°C~+85°C	100
SDM-SST-8G-H-S-X	8G SLC-X type , Industrial, Standard Grade, -40°C~+85°C	166
ISATA-16G-H-S-X	16G SLC-X type , Industrial, Standard Grade, -40°C~+85°C	294

DOM series

P/N	Description	(price: USD)
DDOM-SST-512M-44P	512M Flash disk, Industrial, Standard Grade, -40°C~+85°C	28
DDOM-SST-1G-44P	1G Flash disk, Industrial, Standard Grade, -40°C~+85°C	45
DDOM-SST-2G-44P	2G Flash disk, Industrial, Standard Grade, -40°C~+85°C	70
IDM-4G-44P-X	4G Flash disk, Industrial, Standard Grade, -40°C~+85°C	94
IDM-8G-44P-X	8G Flash disk, Industrial, Standard Grade, -40°C~+85°C	166

iCF card

P/N	Description	(price: USD)
iCF-128M	128M CF Card, Industrial, Standard Grade, 0°C~+70°C	19
iCF-256M	256M CF Card, Industrial, Standard Grade, 0°C~+70°C	21
iCF-512M	512M CF Card, Industrial, Standard Grade, 0°C~+70°C	23
iCF-1G	1G CF Card, Industrial, Standard Grade, 0°C~+70°C	34
iCF-2G	2G CF Card, Industrial, Standard Grade, 0°C~+70°C	51
iCF-4G	4G CF Card, Industrial, Standard Grade, 0°C~+70°C	83
iCF-8G	8G CF Card, Industrial, Standard Grade, 0°C~+70°C	145
iCF-128M-X	128M CF Card, Industrial, Standard Grade, -40°C~+85°C	21

iCF-256M-X	256M CF Card, Industrial, Standard Grade, -40°C~+85°C	26
iCF-512M-X	512M CF Card, Industrial, Standard Grade, -40°C~+85°C	28
iCF-1G-X	1G CF Card, Industrial, Standard Grade, -40°C~+85°C	40
iCF-2G-X	2G CF Card, Industrial, Standard Grade, -40°C~+85°C	57
iCF-4G-X	4G CF Card, Industrial, Standard Grade, -40°C~+85°C	94
iCF-8G-X	8G CF Card, Industrial, Standard Grade, -40°C~+85°C	166

SDM-SST-SLIM(M)XG for PPC serials

P/N	Description	(price: USD)
SDM-SST-SLIM(M)4G	4G MLC type , Industrial, Standard Grade, 0°C~70°C	40
SDM-SST-SLIM(M)8G	8G MLC type , Industrial, Standard Grade, 0°C~70°C	55
SDM-SST-SLIM(M)16G	16G MLC type , Industrial, Standard Grade, 0°C~70°C	89
SDM-SST-SLIM(M)32G	32G MLC type , Industrial, Standard Grade, 0°C~70°C	126



ICOP
intelligent control on processor



No.15, Wugong 5th Rd. Xinzhuang Dist., New Taipei City, #24890, Taiwan,

JAMPEL SRL - VIA DEGLI STRADELLI GUELFY 86
40138 BOLOGNA - TEL. 051 452042 - FAX 051 455046
C.F. e PARTITA I.V.A. 03116900378
E-MAIL : info@jampel.it www.jampel.it

Peripherals

	P/N	Description	(price: USD)
(BTO)	VSX-2812	PC/104+ VGA / LCD / DVI Module	139
	VSX-2812S	PC/104+ VGA / LCD Module	116
	ICOP-0101	PC/104 48Bit DIO Module (w/o cables)	96
	ICOP-0102	PC/104 24Bit DIO Module (w/o cables)	49
	ICOP-1800	PC/104 RS-232 Module	92
	ICOP-0071	PC/104 Power supply DC/DC Module	49
	ICOP-0072	PC/104 Power supply DC/DC + DIO Module	96
	PC104-1911-CF	PC/104 Compact Flash to IDE	36
	PC104-1911-MINIPCI	PC/104 + Mini PCI Module	45
	PCI-MiniPCI	Mini PCI to PCI Converter	15
	MiniPCI-VGA-Z9S	MiniPCI VGA / LVDS Module	98
	MiniPCI-L-8100	MiniPCI LAN Module	60
	MiniPCI-WLAN-Card	MiniPCI WLAN Module	56
	SD-1917	IDE to MicroSD Converter	16
	ICOP-2811	PC/104 CRT/ LCD Module	127
	ICOP-4087	PC/104 Solid State Disk Module	63
	IDE-SATA26-V-44	2.5" IDE to SATA module	22
	CF-1915	Compact Flash to IDE interface adapter	27
	CF-1916	IDE to CF adapter	31
	ICOP-0091	PC/104 to ISA converter	22
	ICOP-0093	x-ISA to ISA converter	22
	ICOP-0094	IDE Exchanger Kit (44pin IDE x 2, 40pin IDE x 2)	18
	ICOP-0096	Vortex86SX/DX LVDS (18bit) Converter Kit for LCD Panel Display	18
	ICOP-0097	X-PCI to PCI Converter	22
	ICOP-0076	LAN Adapter Kit	11
	ICOP-8003	3 slots ISA Backplane	31
	ICOP-8005	5 slots ISA Backplane	40



ICOP
intelligent control on processor

No.15, Wugong 5th Rd. Xinzhuang Dist., New Taipei City, #24890, Taiwan.



JAMPEL SRL - VIA DEGLI STRADELLI GUELFY 86
40138 BOLOGNA - TEL. 051 452042 FAX 051 455046
C.F. e PARTITA I.V.A. 03116900378
E-MAIL : Info@jampel.it www.jampel.it

Display Products Price List - International

P/N	Description	(price: USD)
HMI Series		
HMI-043T-EM41N-O	4.3" HMI OP w/128MB/8MBSPI/USB/RS232/485/GPIO/SPK/CAN	200
HMI-043T-EM41B-O	4.3" HMI OP w/128MB/512MBeMMC/8MBSPI/USB/RS232/485/GPIO/SPK/CAN	221
HMI-043T-EM41N-B	4.3" HMI w/128MB/8MBSPI/Expansion 128Pin/Case without I/O Board	211
HMI-043T-EM41B-B	4.3" HMI w/128MB/512MBeMMC/8MBSPI/Expansion 128Pin/Case without I/O Board	232
CABLE-265OP-SET	Cable set for -O and -B types	16
POWER-20W-3PIN-X , POWERHEAD-US/EU/EN/NZ	Power adapter for CABLE-265OP-SET (-O and -B types). Need two item numbers, POWER-20W-3PIN-X (without power head) and POWERHEAD-?? (for different country)	32
HMI-043T-EM41N-B01	4.3" HMI w/128MB/8MBSPI/USB/LAN/RS232/SD/DC7-24V	253
HMI-043T-EM41B-B01	4.3" HMI w/128MB/512MBeMMC/8MBSPI/USB/LAN/RS232/DC7-24V	274
HMI-043T-EM41N-B02	4.3" HMI w/128MB/8MBSPI/USB/POE/RS232/SD	264
HMI-043T-EM41B-B02	4.3" HMI w/128MB/512MBeMMC/8MBSPI/USB/POE/RS232	285

HMI — 043T — EM □ □ □ — □ □ □

Product Code	LCD Size	CPU Type	CPU Clock	RAM	Flash onboard	I/O
HMI series	043T: 4.3", 480x272, with TouchScreen	EM: Vortex86EXm	4:400MHz 3:300MHz	1:128MB 2:256MB	N (No Flash) B (512MB) D (2GB) E (4GB)	O: Open Frame B: O type + case B01: B type + I/O board with case B02: B type + PoE I/O board with case



PDX/PMX Series

PDX-057T-RD5A	5.7" Panel PC w/256MB/2/1A/1L/1S/CF/MicroSD/20W Power Adapter	638
PDX-057T-RD8A	5.7" Panel PC w/256MB/2U/1A/1L/1S/CF/MicroSD/8-35VDC Support	638
PDX-057T-RD5A-512	5.7" Panel PC w/512MB/2U/1A/1L/1S/CF/MicroSD/20W Power Adapter	681
PDX-057T-RD8A-512	5.7" Panel PC w/512MB/2U/1A/1L/1S/CF/MicroSD/8-35VDC Support	681
PMX-090T-5A-512	9" Panel PC w/512MB/2U/1A/1L/1S/CF/MicroSD/20W Power Adapter	681
PMX-090T-8A-512	9" Panel PC w/512MB/2U/1A/1L/1S/CF/MicroSD/8-35VDC Support	681
PMX-057T-5A	5.7" Panel PC w/1GB/2U/1A/1L/1S/CF/MicroSD/20W Power Adapter	723
PMX-057T-8A	5.7" Panel PC w/1GB/2U/1A/1L/1S/CF/MicroSD/8-35VDC Support	723
PMX-090T-5A	9" Panel PC w/1GB/2U/1A/1L/1S/CF/MicroSD/20W Power Adapter	723
PMX-090T-8A	9" Panel PC w/1GB/2U/1A/1L/1S/CF/MicroSD/8-35VDC Support	723

PPC Series

PPC-090T-D2N3N	9" Panel PC w/512MB/3U/1A/1L/2S/DC12~24V	777
PPC-090T-D2N4N	9" Panel PC w/1GB/3U/1A/1L/2S/DC12~24V	809
PPC-090T-D2N5N	9" Panel PC w/2GB/3U/1A/1L/2S/DC12~24V	819
PPC-090T-D2N3N-GE	9" Panel PC w/512MB/3U/1A/1L/1GL/2S/DC12~24V	819
PPC-090T-D2N4N-GE	9" Panel PC w/1GB/3U/1A/1L/1GL/2S/DC12~24V	851
PPC-090T-D2N5N-GE	9" Panel PC w/2GB/3U/1A/1L/1GL/2S/DC12~24V	862
PPC-104T-D2N3N	10.4" Panel PC w/512MB/3U/1A/1L/2S/DC12~24V	1096
PPC-104T-D2N4N	10.4" Panel PC w/1GB/3U/1A/1L/2S/DC12~24V	1128
PPC-104T-D2N5N	10.4" Panel PC w/2GB/3U/1A/1L/2S/DC12~24V	1138
PPC-104T-D2N3N-GE	10.4" Panel PC w/512MB/3U/1A/1L/1GL/2S/DC12~24V	1138
PPC-104T-D2N4N-GE	10.4" Panel PC w/1GB/3U/1A/1L/1GL/2S/DC12~24V	1170
PPC-104T-D2N5N-GE	10.4" Panel PC w/2GB/3U/1A/1L/1GL/2S/DC12~24V	1181
PPC-150T-D2N3N	15" Panel PC w/512MB/3U/1A/1L/2S/DC12~24V	1217
PPC-150T-D2N4N	15" Panel PC w/1GB/3U/1A/1L/2S/DC12~24V	1249
PPC-150T-D2N5N	15" Panel PC w/2GB/3U/1A/1L/2S/DC12~24V	1260
PPC-150T-D2N3N-GE	15" Panel PC w/512MB/3U/1A/1L/1GL/2S/DC12~24V	1260
PPC-150T-D2N4N-GE	15" Panel PC w/1GB/3U/1A/1L/1GL/2S/DC12~24V	1291
PPC-150T-D2N5N-GE	15" Panel PC w/2GB/3U/1A/1L/1GL/2S/DC12~24V	1302

PPC — □□□□ — □□ □ □ □ — □□

Product Code	LCD Size	CPU Type	CPU Clock	RAM	Flash onboard	I/O
PPC : Panel PC	090T	D2: DX2	W:800MHz	3:512MB	N (No Flash)	GE :Giga LAN
	104T	D3: DX3	N:933MHz	4 :1GB	B (512MB)	None:10/100M LAN
	150T		G:1GHz	5:2GB	D (2GB) E (4GB)	

LCD Size : Code 4~7

090T : 9" LCD with touchscreen

104T:LCD with touchscreen

150T : 15" LCD with touchscreen

LCD Set

LCD-AU084-V3-SET	AU8.4"-G084SN03V3 w/ LVDS converter, Cable	377
LCD-AU104-V2-SET	AU10.4"-G104SN2V2 w/ LVDS converter, Cable	421
LCD-AU121-V4-SET	AU12.1"-G121SN01V4 w/ LVDS converter, Cable	483
LCD-AU150-V3-SET	AU15"-G150XG03V5 w/ LVDS converter, Cable	374
LCD-AU15-SET	AU15"-G150XTN03.0 w/ LVDS converter, Cable	426

LCD Set with Touch Panel & USB T/S Controller

LCD-AM057-U-SET	5.7" TFT LCD with LCD Cable,Touch Screen and USB Touch Screen Controller	298
LCD-AU084-V3-U-SET	AU8.4"-G084SN03V3 w/ LVDS converter, Cable,Touch Screen and USB TouchScreen Controller	453
LCD-AU104-V2-U-SET	AU10.4"-G104SN2V2 w/ LVDS converter, Cable,Touch Screen and USB TouchScreen Controller	511
LCD-AU121-V4-U-SET	AU12.1"-G121SN01V4 with LVDS converter, Cable,Touch Screen and USB TouchScreen Controller	611
LCD-AU150-V5-U-SET	AU15"-G150XG03V5 w/ LVDS converter, Cable,Touch Screen and USB TouchScreen Controller	566
LCD-AU15-U-SET	AU15"-G150XTN03.0 with LVDS converter, Cable, Touch Screen and USB TouchScreen Controller	604

LCD Set with Touch Panel & RS-232 T/S Controller

LCD-AM057-RS-SET	Ampire 5.7" TFT LCD with LCD Cable,Touch Screen and RS Touch Screen Controller	298
LCD-AU084-V3-RS-SET	AU8.4"-G084SN03V3 w/ LVDS converter, Cable,Touch Screen and RS TouchScreen Controller	453
LCD-AU104-V2-RS-SET	AU10.4"-G104SN2V2 w/ LVDS converter, Cable,Touch Screen and RS TouchScreen Controller	511
LCD-AU121-V4-RS-SET	AU12.1"-G121SN01V4 with LVDS converter, Cable,Touch Screen and RS TouchScreen Controller	611
LCD-AU150-V5-RS-SET	AU15"-G150XG03V5 w/ LVDS converter, Cable,Touch Screen and RS TouchScreen Controller	566
LCD-AU15-RS-SET	AU15"-G150XTN03.0 with LVDS converter, Cable, Touch Screen and RS TouchScreen Controller	604

Open Frame Panel PC **Without TouchScreen.**

VOX-150L	15" Open Frame Panel PC without Touch Screen	823
VOX-AU15-1	Chassis for 15" Panel PC	

LCD-AU150-V3-SET	AU15"-G150XG03V5 w/ LVDS converter, Cable	
CABLE-LVDS-AU15-30	LVDS CABLE 30 cm	
PS-047A-3Y	47Watt Power Adapter	
VMXP-6427	3.5" Vortex86MX+ CPU Board (512MB)	
VOX-150	15" Open Frame Panel PC without Touch Screen	855
VOX-AU15-1	Chassis for 15" Panel PC	
LCD-AU15-SET	AU15"-G150XTN03.0 with LVDS converter, Cable	
CABLE-LVDS-AU15-30	LVDS CABLE 30 cm	
PS-047A-3Y	47Watt Power Adapter	
VMXP-6427	3.5" Vortex86MX+ CPU Board (512MB)	
VOX-121	12.1" Open Frame Panel PC without TouchScreen	1083
VOX-AU121	Chassis for 12.1" Panel PC	
LCD-AU121-V4-SET	AU12.1"-G121SN01V4 with LVDS converter, Backlight Cable	
CABLE-LVDS-AU121-30	LVDS CABLE 30 cm	
PS-047A-3Y	47Watt Power Adapter	
VMXP-6427	3.5" Vortex86MX+ CPU Board (512MB)	
VOX-104	10.4" Open Frame Panel PC without TouchScreen	851
VOX-AU104-V2	Chassis for 10.4" Panel PC	
LCD-AU104-V2-SET	AU10.4"-G104SN2V2 w/ LVDS converter, Cable	
CABLE-LVDS-30	LVDS CABLE 30 cm	
PS-047A-3Y	47Watt Power Adapter	
VMXP-6427	3.5" Vortex86MX+ CPU Board (512MB)	
VOX-084	8.4" Open Frame Panel PC without TouchScreen	802
VOX-AU084-V3	Chassis for 8.4" Panel PC	
LCD-AU084-V3-SET	AU8.4"-G084SN03V3 w/ LVDS converter, Cable	
CABLE-LVDS-30	LVDS CABLE 30 cm	
PS-047A-3Y	47Watt Power Adapter	
VMXP-6427	3.5" Vortex86MX+ CPU Board (512MB)	
<u>Open Frame Panel PC <i>With</i> TouchScreen.</u>		
VOX-150L-TS	15" Open Frame Panel PC with Touch Screen	989
VOX-AU15-1	Chassis for 15" Panel PC	
LCD-AU15-U-SET	AU15"-G150XTN03.0 with LVDS converter, Cable, Touch Screen and USB TouchScreen Controller	
CABLE-LVDS-AU15-30	LVDS CABLE 30 cm	
PS-047A-3Y	47Watt Power Adapter	
VMXP-6427	3.5" Vortex86MX+ CPU Board (512MB)	
VOX-150-TS	15" Open Frame Panel PC with Touch Screen	1021
VOX-AU15-1	Chassis for 15" Panel PC	
LCD-AU15-U-SET	AU15"-G150XTN03.0 with LVDS converter, Cable, Touch Screen and USB TouchScreen Controller	
CABLE-LVDS-AU15-30	LVDS CABLE 30 cm	
PS-047A-3Y	47Watt Power Adapter	
VMXP-6427	3.5" Vortex86MX+ CPU Board (512MB)	
VOX-121-TS	12.1" Open Frame Panel PC with TouchScreen	1209
VOX-AU121	Chassis for 12.1" Panel PC	
LCD-AU121-V4-U-SET	AU12.1"-G121SN01V4 with LVDS converter, Cable,Touch Screen and USB TouchScreen Controller	
CABLE-LVDS-AU121-30	LVDS CABLE 30 cm	
PS-047A-3Y	47Watt Power Adapter	
VMXP-6427	3.5" Vortex86MX+ CPU Board (512MB)	
VOX-104-TS	10.4" Open Frame Panel PC with TouchScreen	930
VOX-AU104-V2	Chassis for 10.4" Panel PC	
LCD-AU104-V2-U-SET	AU10.4"-G104SN2V2 w/ LVDS converter, Cable,Touch Screen and USB TouchScreen Controller	

CABLE-LVDS-30	LVDS CABLE 30 cm	
PS-047A-3Y	47Watt Power Adapter	
VMXP-6427	3.5" Vortex86MX+ CPU Board (512MB)	
VOX-084-TS	8.4" Open Frame Panel PC with TouchScreen	868
VOX-AU084-V3	Chassis for 8.4" Panel PC	
LCD-AU084-V3-U-SET	AU8.4"-G084SN03V3 w/ LVDS converter, Cable,Touch Screen and USB TouchScreen Controller	
CABLE-LVDS-30	LVDS CABLE 30 cm	
PS-047A-3Y	47Watt Power Adapter	
VMXP-6427	3.5" Vortex86MX+ CPU Board (512MB)	



ICOP
intelligent control on processor



JAMPEL SRL - VIA DEGLI STRADELLI GUELF I 86
40138 BOLOGNA - TEL. 051 452042 FAX 051 455046
C.F. e PARTITA I.V.A. 03116900378
E.MAIL : info@jampel.it www.jampel.it

No.15, Wugong 5th Rd. Xinzhuang Dist., New Taipei City, #24890, Taiwan,

ICE Price List - International

- 1 All price are FOB Taiwan.
- 2 This quotate is based on single order per shipment.
- 3 The prices are subject to be changed without notice.

P/N	Description	(price: USD)
ICE Series		
ICE-6754-DC	ICE with VDX3-6754, 1GB, VGA, 2xUSB, LAN, 3xCOM, GPIO	751
ICE-6354-DC	ICE with VDX-6354, 256MB, VGA, 2xUSB, LAN, 3xCOM, GPIO	732
ICE-6358-DC	ICE with VDX-6358, 256MB, VGA, 2xUSB, 2xLAN, 2xCOM, GPIO	745

ICE - □□□□ - □□

Board used inside

6754: VDX3-6754-1G
6354: VDX-6354RD
6358: VDX-6358RD

Note: all the ICOP PC/104 boards can be used, if you need to use other board, please contact ICOP sales.

Power Input

AC: 100V~240V AC input
DC: +5V DC input